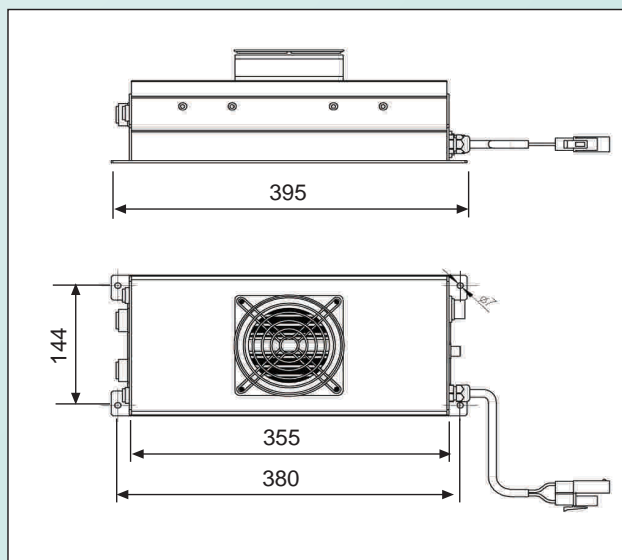
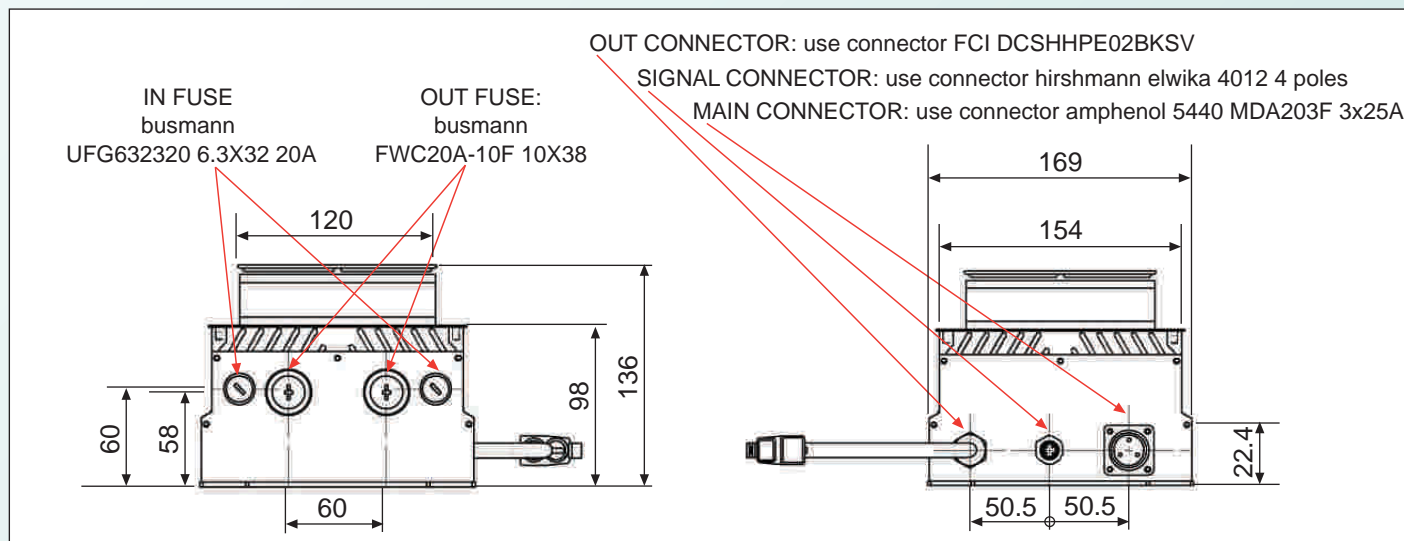
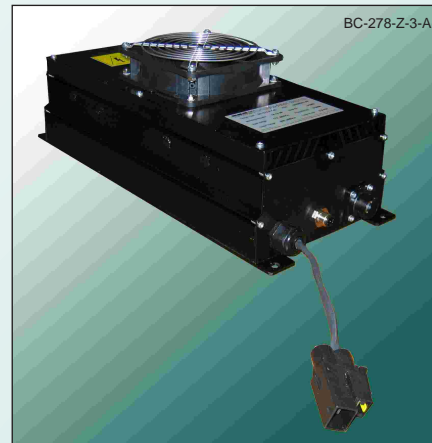


These chargers are designed for the charge of any battery type in electric and hybrid vehicles.
 A PWM signal from the battery controller determines the charge characteristic.
 MES-DEA produces these chargers under licence from ASCOM Energy Systems.

Technical data

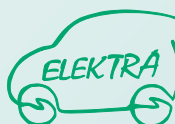
ZEBRA® Chargers

Efficiency / load		95% @ 3.2 kW; 90% @ 400 W
Input voltage		110 ÷ 253 V _{AC} , 47 ÷ 63 Hz
Ambient temperature for max. power		-25°C to 40°C
Control		external PWM
EMC		95/54/EG
Protection class		IP 54
DC Output power	W	3200 (or 26 A max.)
Input current AC	A	≤15,5
Cooling		Air
Weight	kg	7



Type	Cod.	Output voltage [V]
BC-192-Z-3-A EF	30x00304.00	160 : 220
BC-240-Z-3-A EF	30x00305.00	205 : 284
BC-278-Z-3-A EF	30x00301.00	240 : 325
BC-336-Z-3-A EF	30x00306.00	288 : 395
BC-557-Z-3-A EF	30x00307.00	480 : 650
BC-672-Z-3-A EF	30x00308.00	576 : 700

Other voltages on request



The information contained herewith is subject to change without notice

Components for Electric Vehicles

Via Laveggio, 15 CH - 6855 Stabio - Switzerland

TEL: +41 (0)91 6415311 FAX: +41(0)91 6415333

E-mail: info@mes-dea.ch

Rev 05 del 08.02.07
Battery Charger E.F.

internet: http:// www.mes-dea.ch

